



VENTAIR[®] TM

High Pressure Centrifugal Blower/Exhauster

This is a rugged, high volume, high pressure centrifugal fan. Backwardly inclined fan blades yield stable air flow through small diameter or long runs of duct. The heavy duty housing makes this an ideal air moving workhorse for shipyards, steel mills, refineries and other large industries.



FEATURES:

- Available in 1 HP, 2 HP, 5 HP, 15 HP and 30 HP Motors producing up to 10,700 cfm (18,179 m³/hr).
- One piece, cast aluminum, spark resistant, abrasion resistant, dynamically balanced fan wheel.
- Heavy gauge steel housing and base protects fan and motor.
- Backward curved airfoil shaped blades provide non-overloading power characteristics allowing peak performance over long runs of duct.
- Totally Enclosed (TE) and Explosion Proof (EP) motors available.
- 3500 rpm motor directly connected to fan wheel.

PERFORMANCE: cfm (m³/hr) air delivery at 3500 rpm

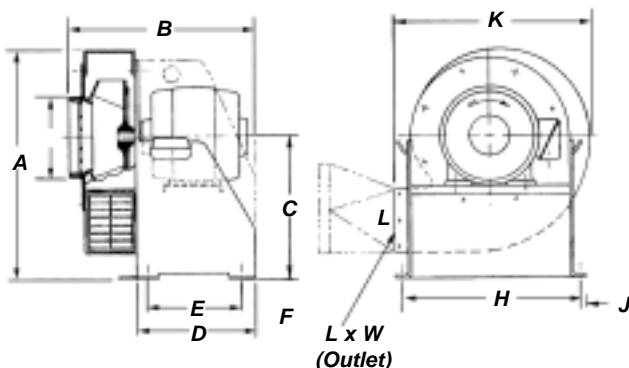
Model	HP	Free Air	STATIC PRESSURES IN Wg. (mm)							
			1" 2mm	2" 51mm	3" 76mm	4" 102mm	5" 127mm	6" 152mm	7" 178mm	8" 203mm
TM-4	1	1700 2837	1560 2604	1400 2379	1230 2090	1040 1767	820 1933	340 578	- --	- --
TM-5	2	2500 4248	2300 3908	2100 3568	1900 3228	1680 2854	1450 2464	1200 2039	910 1546	500 850
TM-6	5	4100 6966	3930 6677	3740 6354	3560 6048	3360 5709	3140 5335	2930 4978	2700 4587	2460 4180
TM-8	15	7450 12558	7250 12318	7000 11893	6800 11553	6600 11213	6350 10789	6100 10364	5900 10024	5659 9599
TM-9	30	10700 18179	10400 17674	10100 17165	9800 16665	9550 16230	9250 15720	8950 15210	8700 14785	8400 14275

ELECTRICAL SPECIFICATIONS

Available with Totally Enclosed (TE) or Hazardous Location (EP) motors. (Class I, Division 1, Group D; Class II, Division 1, Groups F,G). Single phase (TM-4 only).

OPTIONS & ACCESSORIES

- Manual or magnetic starter.
- Beaded or flanged diffusers.
- Flexible duct.
- Adapter for multiple inlets.
- Forklift mount.
- Optional outlet arrangements.
- Vibration Isolators.



DIMENSIONS Inch/mm (weight: lbs/kg)

Model	A	B	C	D	E	F	G	H	J	K	L (Outlet)	Wgt.
TM-4	22.5 572	18.8 478	14.0 356	12.0 305	8.0 203	2.0 51	8.0 203	16.5 419	1.0 25	19.0 483	7.4 x 5.5 188 x 10	110 50
TM-5	26.2 665	23.6 599	16.5 419	15.0 381	11.7 298	1.5 38	10.0 254	19.5 495	1.0 25	22.0 559	8.7 x 6.6 221 x 168	130 59
TM-6	28.8 732	24.9 632	17.5 445	15.5 394	12.2 311	1.5 38	12.0 305	22.5 572	1.0 25	25.2 651	9.6 x 7.4 244 x 234	205 93
TM-8	35.6 904	32.6 828	22.0 559	21.0 533	16.0 406	2.0 51	14.0 356	28.8 734	1.5 38	30.0 762	11.5 x 9.2 292 x 234	550 250
TM-9	42.0 1067	38.5 978	26.0 660	27.0 686	22.7 578	2.0 51	16.0 406	31.5 800	1.5 38	34.2 870	11.5 x 9.2 292 x 234	670 250