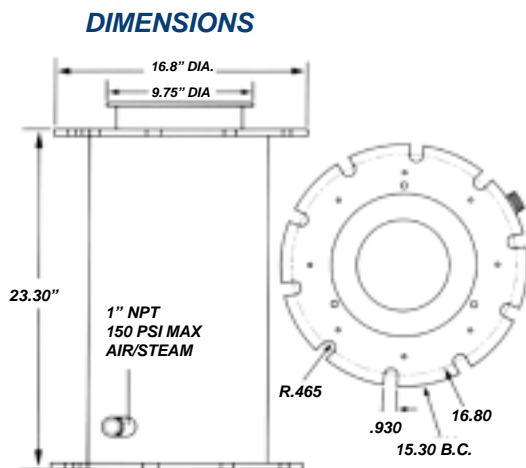


MARINE VENTURI



Accepts duct work on outlet end for diluting fumes at bottom of tanks.



Compressed Air Drive Deck Mount Ventilator/Exhauster

Lightweight, rugged and versatile ship-board ventilator for degassing or fresh air supply.

FEATURES:

- Delivers 4,870 cfm (8,274 m³/hr) operating with 100 psig compressed air.
- Spark resistant, corrosion resistant powder coated aluminum construction. Ideal for hazardous locations.
- Weighs only 32 lbs (15 kg)
- Mates with 12" (320 mm) Butterworth deck openings in either supply or exhaust set-up.
- Built-in flange on outlet end accepts 12" flexible duct.

PERFORMANCE

Inlet Pressure	Total Air Flow cfm/m ³ /hr	Air Consumed scfm/m ³ /hr	Induction Ratio
60 psig 4,2kg/cm ²	3,980 6762	98 167	40.6
80 psig 5,6kg/cm ²	4,500 7645	126 214	35.7
100 psig 7kg/cm ²	4870 8274	153 260	31.8

Compressed air or steam is admitted to Marine Venturi through a single inlet connection in the housing leading to the mixing chamber. The air or steam jetted from the nozzle creates a Venturi action which induces a large volume of surrounding air to enter the Jectair through the inlet. The air is then discharged at high velocity through the outlet end.

NOTE: Operating efficiency is dependent upon compressed air volume and pressure