

DOUBLE DUTY™ HEAT KILLER

Up to 17,000 cfm



Powerful Fan for Cooling Product, Process and Personnel.

With airflows up to 17,000 cfm the DOUBLE DUTY™ HEAT KILLER (DDHK) is one of the most powerful and versatile portable air movers on the market today. The patented, adjustable guide vane design allows control of air flow from a gentle breeze for personnel cooling, to a concentrated jet blast, for product and process cooling.

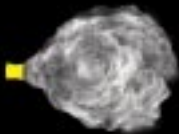


FEATURES:

- Patented, adjustable guide vanes allow varied air movement from gentle breeze to jet blast.
- Available in 18", 24" and 30" models.
- 18" and 24" 115V models available with 2 speed TE motors.
- Models available in floor stand (high and low style) or wall mount (stationary and oscillating).
- Heavy duty, rugged steel housing and frame.
- Aerodynamically designed housing optimizes induced air flow.
- Protective screens meet OSHA standards.
- Available with Totally Enclosed (TE) and Explosion Proof (EP) motors.
- Hazardous Location switches and motors meet NEC Class I, Division I, Group D and Class II Division I, Groups F & G. Thermal overload protected.



Adjustable guide vanes allow for a number of airflow patterns from gentle breeze to jet blast. Most efficient air flow can be determined by positioning guide vanes during operation.



GENTLE BREEZE



JET BLAST

Add a COLDFRONT® Kit to your DDHK



See page 14 for additional COLDFRONT® information

For increased cooling power add a COLDFRONT® Kit to any floor or wall mount DDHK model. Evaporative cooling is an economical and efficient way to reduce ambient temperatures. Choose from COPPUS COLDFRONT Industrial and Compact Kits.

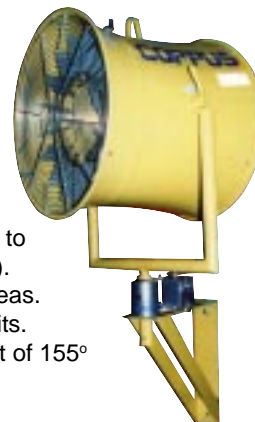
Stationary and Oscillating Wall Mount Kit for DDHK.

Wall Mount Kit

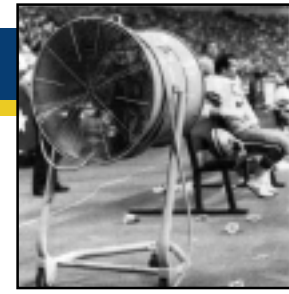
- Frees up valuable floor space.
- Insures permanent location.
- Design permits 360° rotation, with a total tilt of 155° (90° down, 65° up).

Wall Mount Kit with Oscillator

- Increases area of air movement by up to 10 times (compared to stationary unit).
- Economical way to cool large open areas.
- Easily retro-fits existing wall mount units.
- Rotates in 90° or 45° arc with a total tilt of 155° (90° down, 65° up).



NOTE: Oscillating model not available for hazardous locations.



SINGLE SPEED MOTORS

PERFORMANCE:

Model	Fan Size		Motor		Air Volume	
	In.	mm	HP	rpm	cfm	m ³ /hr
18K03D	18	457	1/3	1750	4100	6970
24K07D	24	610	3/4	1750	7100	12,060
24K10D	24	610	1 (EP 1.5)	1750	9500	16,140
30K30D	30	762	3	1750	17,000	28,890

AIR VELOCITIES: fpm (m/min) at various distances from fan outlet. Jet Blast (JB) and Diffused Flow (DF)

Model	10'/3m		30'/9m		50'/15m		70'/21m		90'/27m
	JB	DF	JB	DF	JB	DF	JB	DF	JB
18K03D	1100	425	450	260	350	180	275	135	-
	335	130	137	79	107	55	84	41	--
24K10D	1675	670	840	375	560	280	350	230	185
	511	204	256	114	171	85	107	70	56
30K30D	2250	1280	1000	520	900	340	700	310	475
	686	390	304	159	274	104	213	95	145

2 SPEED MOTORS

PERFORMANCE:

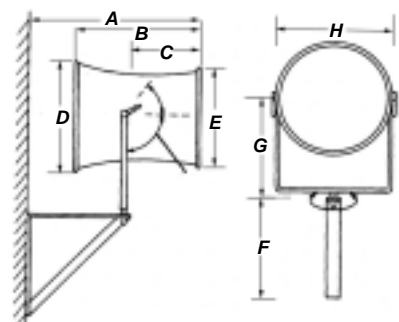
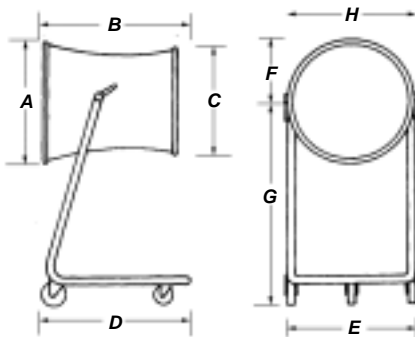
Model	Fan Size		Motor		Air Volume	
	In.	mm	HP	rpm	cfm	m ³ /hr
18K03D	18	457	1/3	1140	2671	4540
				1750	4100	6970
24K07D	24	610	3/4	1140	4625	7857
				1750	7100	12,060
24K10D	24	610	1 (EP 1.5)	1140	6189	10,514
				1750	9500	16,140

LOW SPEED AIR VELOCITIES: fpm (m/min) at various distances from fan outlet. Jet Blast (JB) and Diffused Flow (DF)

Model	10'/3m		30'/9m		50'/15m		70'/21m		90'/27m	
	JB	DF	JB	DF	JB	DF	JB	DF	JB	DF
18K03D	715	276	292	169	227	117	-	-	-	-
	218	84	89	52	69	36	-	-	-	-
24K10D	1089	435	546	243	364	182	227	149	120	-
	322	133	166	75	111	55	69	45	36	-

DIMENSIONS

Inches/(mm)



FLOOR STAND MODELS

Fan Size	A	B	C	D	E	F	G-Stand		Net* Wt.
							High	Low	
18in. 457mm	23.0 584	21.2 540	21.2 540	24.8 629	26.8 679	11.5 292	42.0 1067	24.0 610	130lbs 59kg
24in. 610mm	32.4 882	25.0 635	28.1 714	29.5 749	32.8 832	16.2 411	42.0 1067	28.0 711	147lbs 67kg
30in. 762mm	37.0 940	28.0 711	33.4 848	33.2 846	38.8 984	18.5 470	44.0 1118	32.0 813	240 109kg

*Weights are for TE Motors with high stand

WALL MOUNT MODELS

Fan Size	A	B	C	D	E	F	G		H
							Sta.	With Osc.	
18in. 457mm	29.2 743	21.2 540	10.5 267	23.0 584	21.2 540	19.8 505	19.6 499	25.1 638	25.0 635
24in. 610mm	35.0 889	25.0 635	12.1 308	32.2 822	28.1 714	24 610	23.5 597	30 762	30.6 778
30in. 762mm	40.0 1016	28.0 711	15.7 400	37.0 940	33.3 848	26.7 679	24 610	35.5 902	37.0 940