

CP-20



Air or Steam Turbine Drive Blower/Exhauster

This powerful fan is designed for fast and thorough degassing, ventilating or cooling large process vessels such as columns, towers, reactors, scrubbers, furnaces and storage tanks.

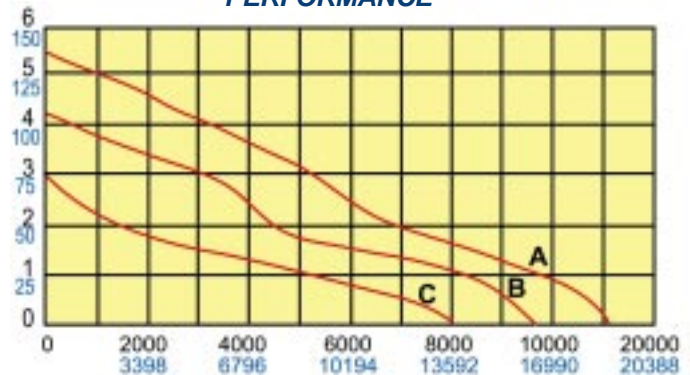
FEATURES:

- Delivers up to 11,200 cfm (19,029 m³/hr)
- Use as blower or exhauster.
- Fits 20" (508 mm) API tank opening.
- Cast aluminum housing and fan blade.
- Stainless Steel turbine blades.
- Dual inlet stainless steel nozzles expand steam or compressed air up to 150 PSIG (see illustration 1A).
- Fan assembly shaft rotates on permanently sealed ball bearings.

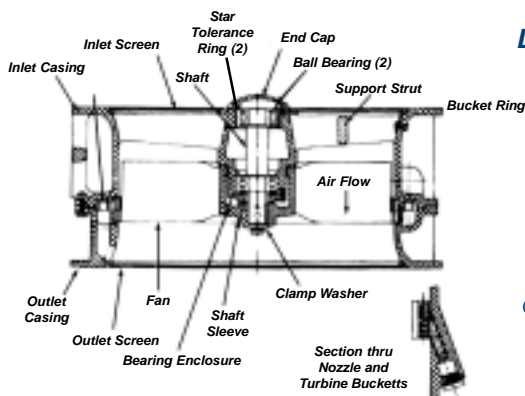
STEAM and AIR CONSUMPTION

Steam/Air Pressure	Steam Consumption		Air Consumption	
	Sm. Nozzle	Lg. Nozzle	Sm. Nozzle	Lg. Nozzle
150 psig 10,6 kg/cm ²	640 lbs/hr 209 kg/hr	—	220 scfm 178 scfm	—
115 psig 8,1 kg/cm ²	510lbs/hr 231 kg/hr	—	178 scfm 302 m ³ /hr	—
80 psig 5,6 kg/cm ²	380 lbs/hr 172 kg/hr	740 lbs/hr 336 kg/hr	128 scfm 217m ³ /hr	250 scfm 425 m ³ /hr
60 psig 4,2 kg/cm ²	—	590 lbs/hr 268 kg/hr	—	194 scfm 330 m ³ /hr
40 psig 2,8 kg/cm ²	—	440 lbs/hr 200 kg/hr	—	142 scfm 241 m ³ /hr

PERFORMANCE



A= 80 PSIG (5,6kg/cm²) At Large Nozzle or 150 PSIG (10,6 kg/cm²) at Small.
 B= 60 PSIG (4,2 kg/cm²) At large Nozzle or 115 PSIG (8,1 kg/cm²) at Small
 C= 40 PSIG (2,8 kg/cm²) at Large Nozzle or 80 PSIG (5,6 kg/cm²) at Small.



DIMENSIONS

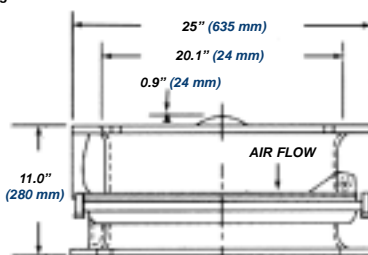


ILLUSTRATION 1A

